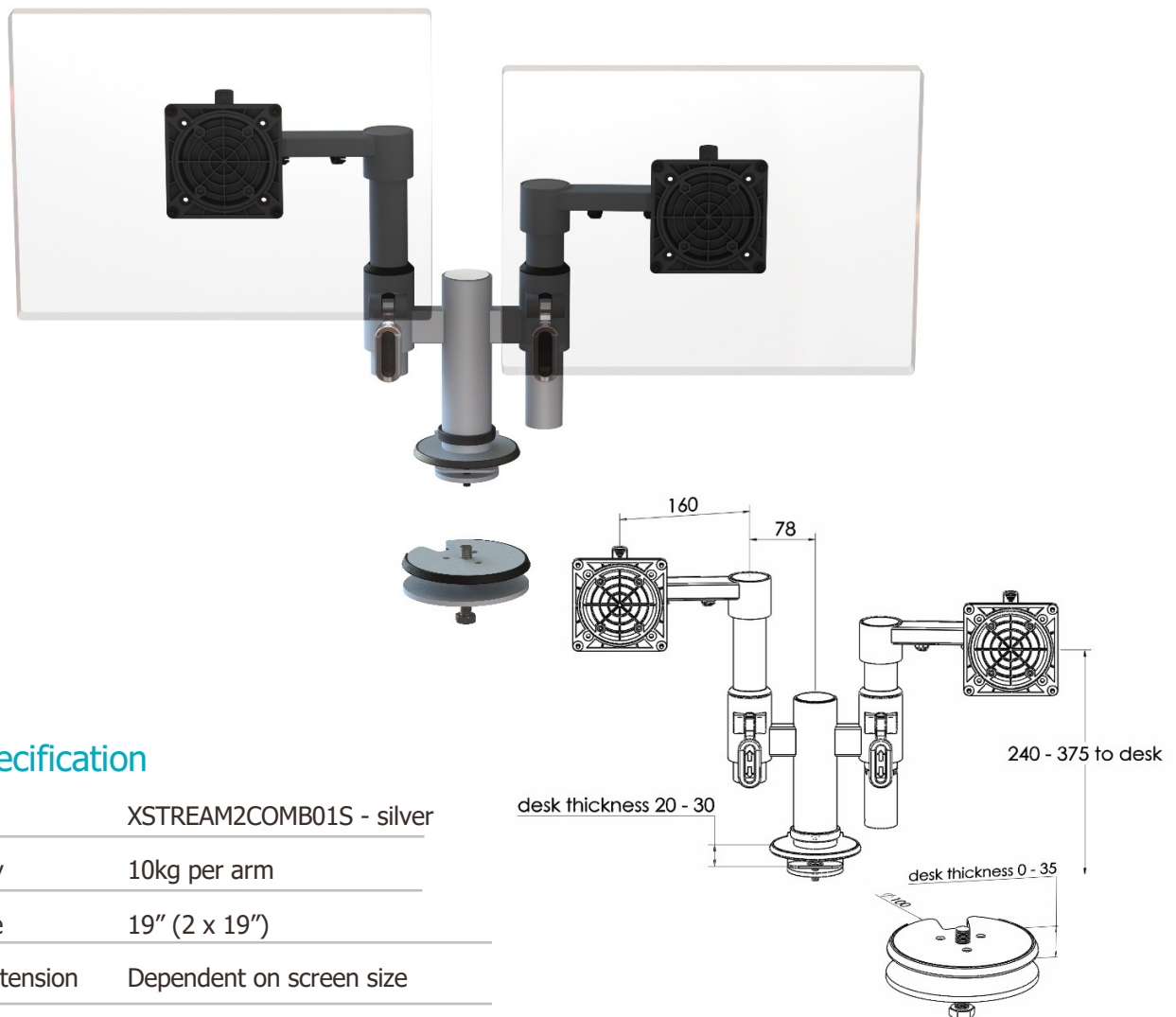


# XSTREAM dual screen solution – 2 x single beam arms



## Product Specification

Product code	XSTREAM2COMB01S - silver
Weight capacity	10kg per arm
Max screen size	19" (2 x 19")
Max forward extension	Dependent on screen size
VESA	75mm & 100mm VESA compliant
Movement	Height adjustment, tilt, swivel, rotation and reach
Height adjustment	Max height adjustment 375mm from desk top
Fixings	Supplied with baby-c and through-desk as standard

## Additional Information

Single beam arm with manual height adjustment

Additional +/- 70mm available with ratchet mechanism

Lockable quick release VESA function

Compact – folds back into a space of 40mm

Silver – XSTREAM2COMB01S - RAL code 9006

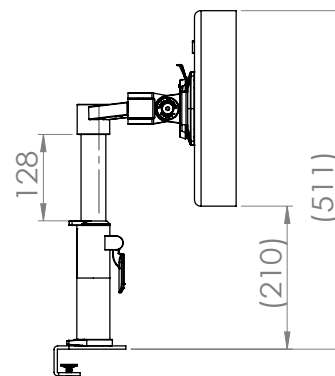
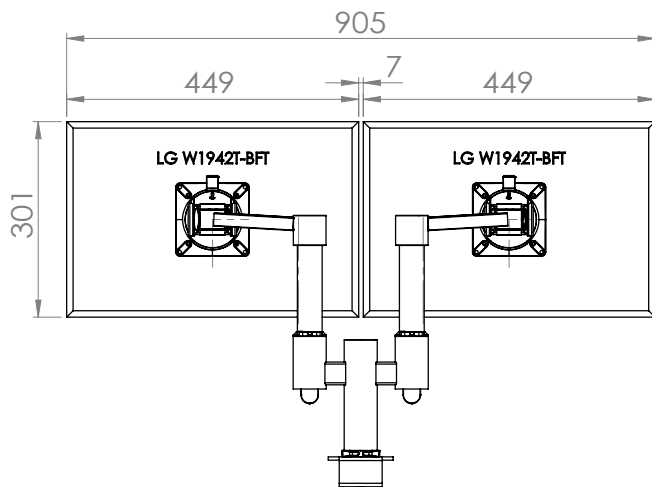
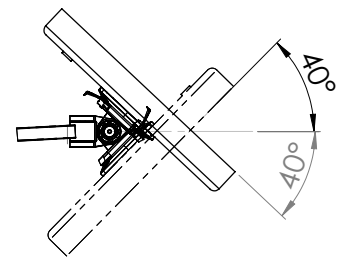
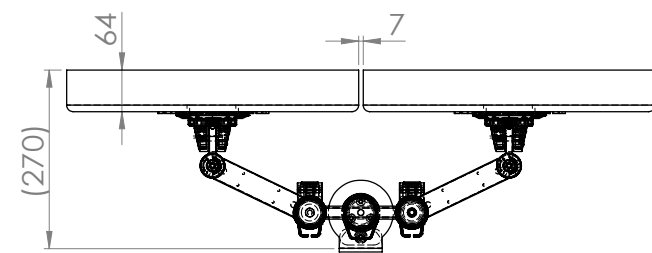
White – XSTREAM2COMB01W - RAL code 9010

Black – XSTREAM2COMB01B - RAL code 9005



**Ergo**  
01235 773373  
www.ergold.co.uk  
sales@ergold.co.uk

# XSTREAM dual screen solution – Line Drawings



**Ergo**  
01235 773373  
www.ergold.co.uk  
sales@ergold.co.uk